

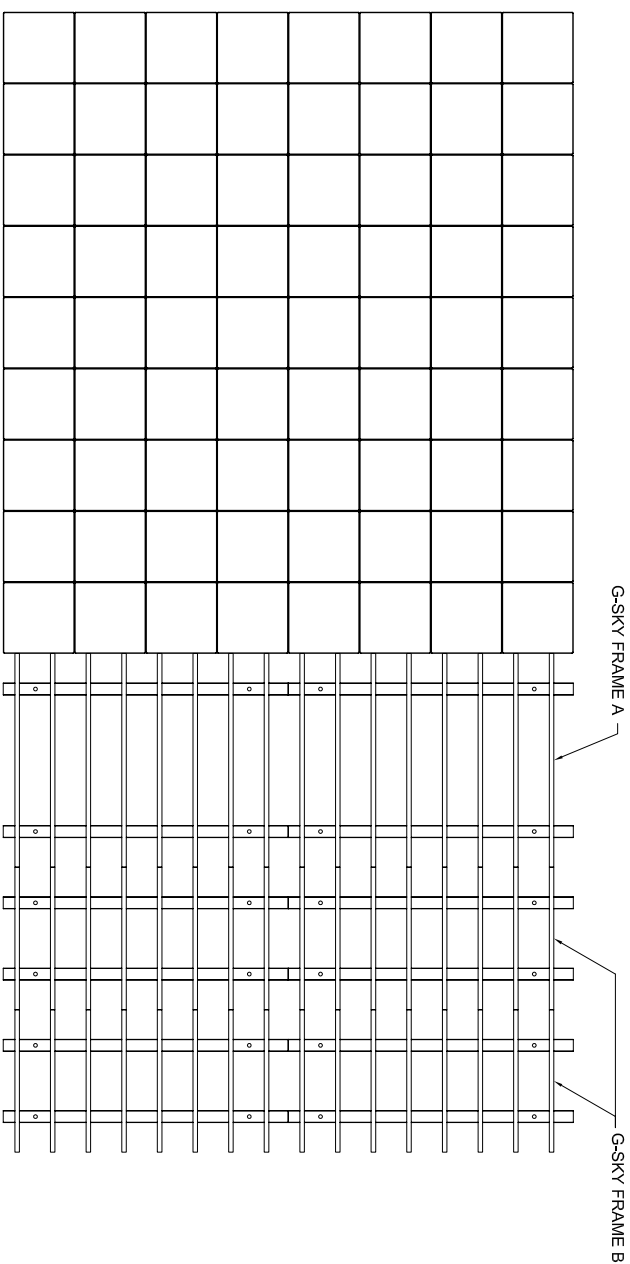
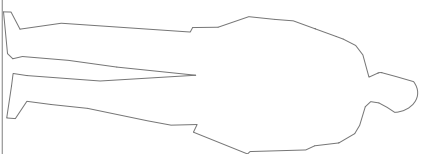
G-SKY GREEN WALL PANELS

PANEL LAYOUT / FRAME DESIGN



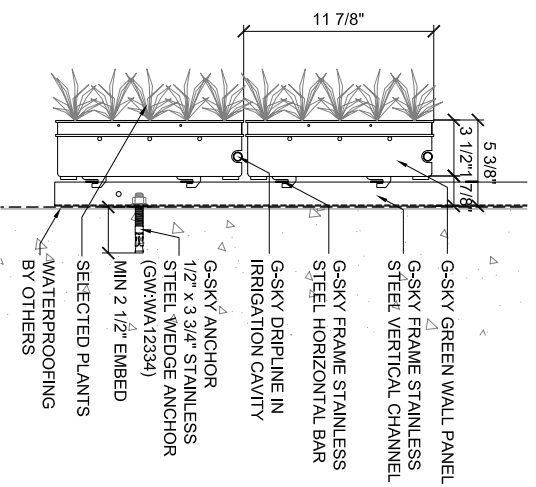
#208 669 RIDLEY PLACE
DELTA, BC V2M 6V9
604-708-0611 ph 604-357-1315 fax
www.g-sky.com

DRAWING # **G-1**
DATE: FEB 7, 2007
WALL MUST SUPPORT SATURATED GREEN WALL PANEL AND FRAME WEIGHT OF 30 LB/SQ.FT.
WATERPROOFING BY OTHERS

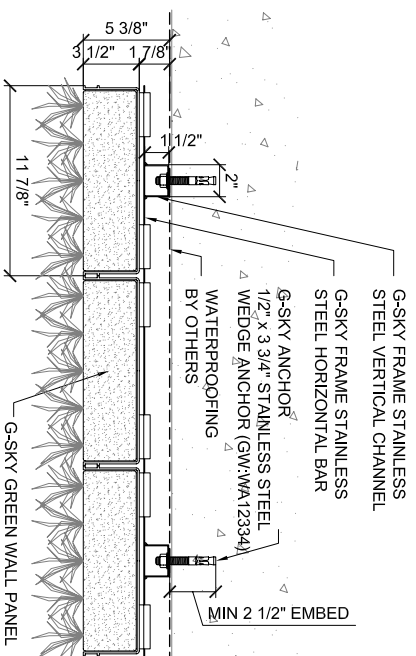


FRONT VIEW

SIDE VIEW



PLAN SECTION

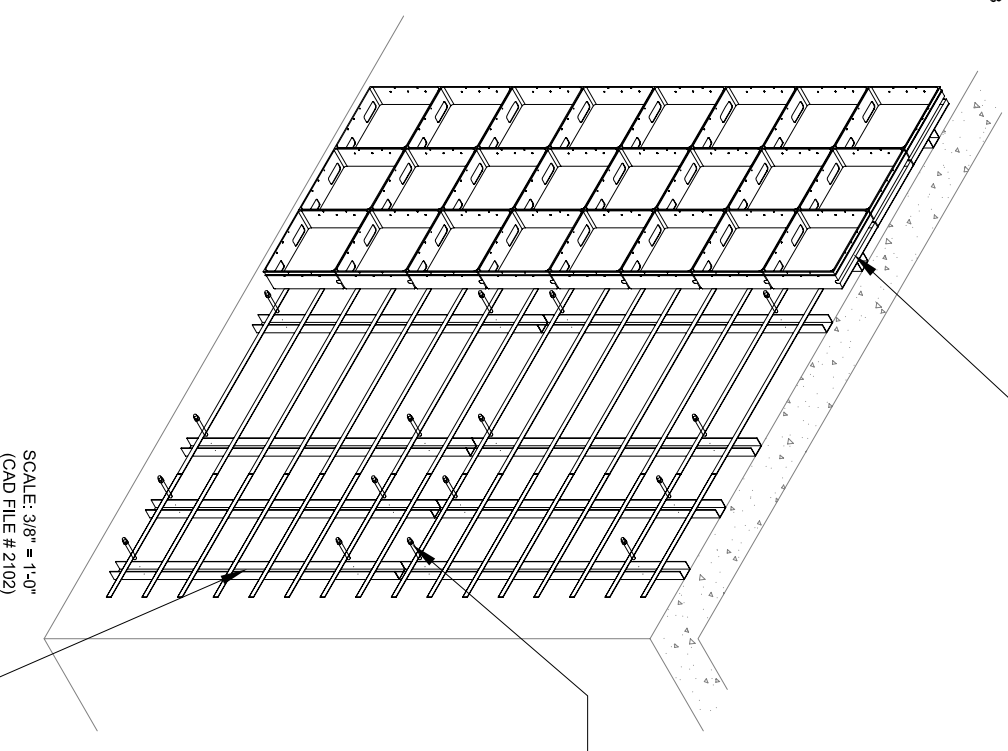


SCALE: 3/8" = 1'-0"
(CAD FILE #2101)

SCALE: 1" = 1'-0"
(CAD FILE #2103)

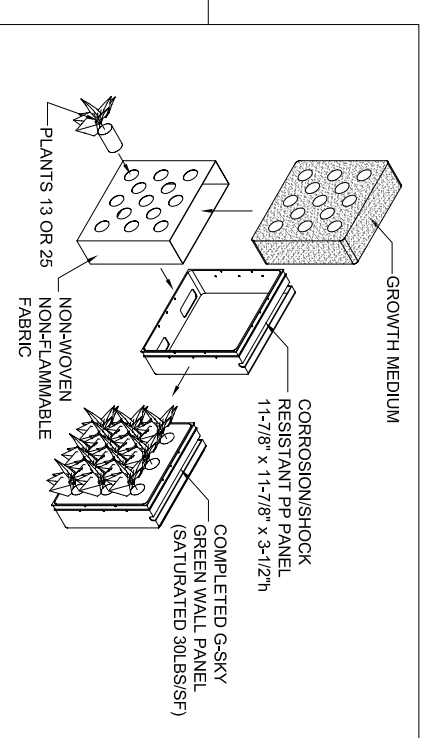
SCALE: 1" = 1'-0"
(CAD FILE #2104)

3D VIEW



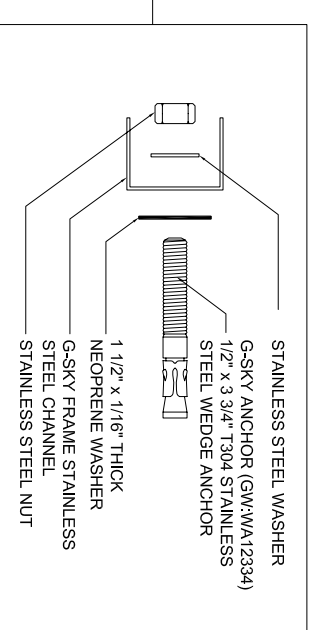
SCALE: 3/8" = 1'-0"
(CAD FILE #2102)

G-SKY GREEN WALL PANEL ASSEMBLY



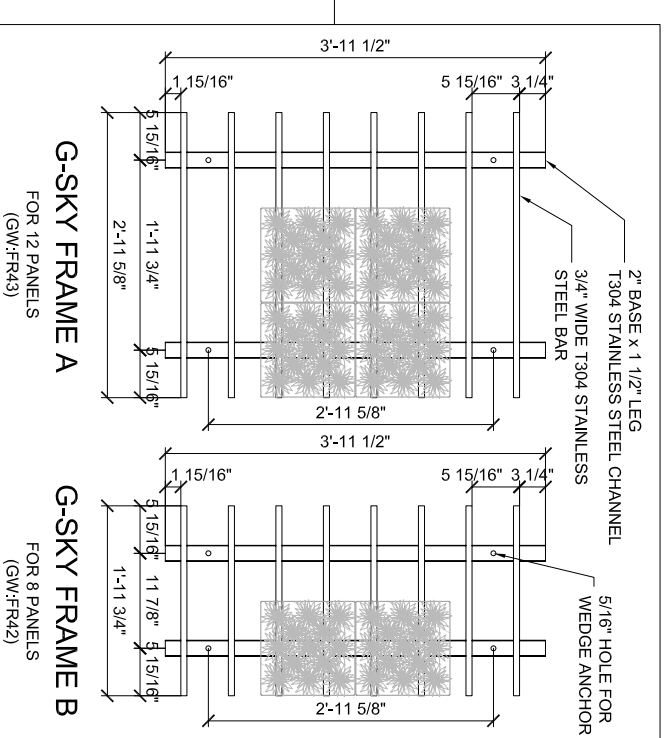
SCALE: 1/2" = 1'-0"
(CAD FILE #1101)

G-SKY ANCHOR DETAIL



SCALE: 3" = 1'-0"
(CAD FILE #1205)

G-SKY FRAME DETAILS



SCALE: 1/2" = 1'-0"
(CAD FILE #1201,1202)

G-SKY GREEN WALL PANELS

IRRIGATION DESIGN WITHOUT OPENING



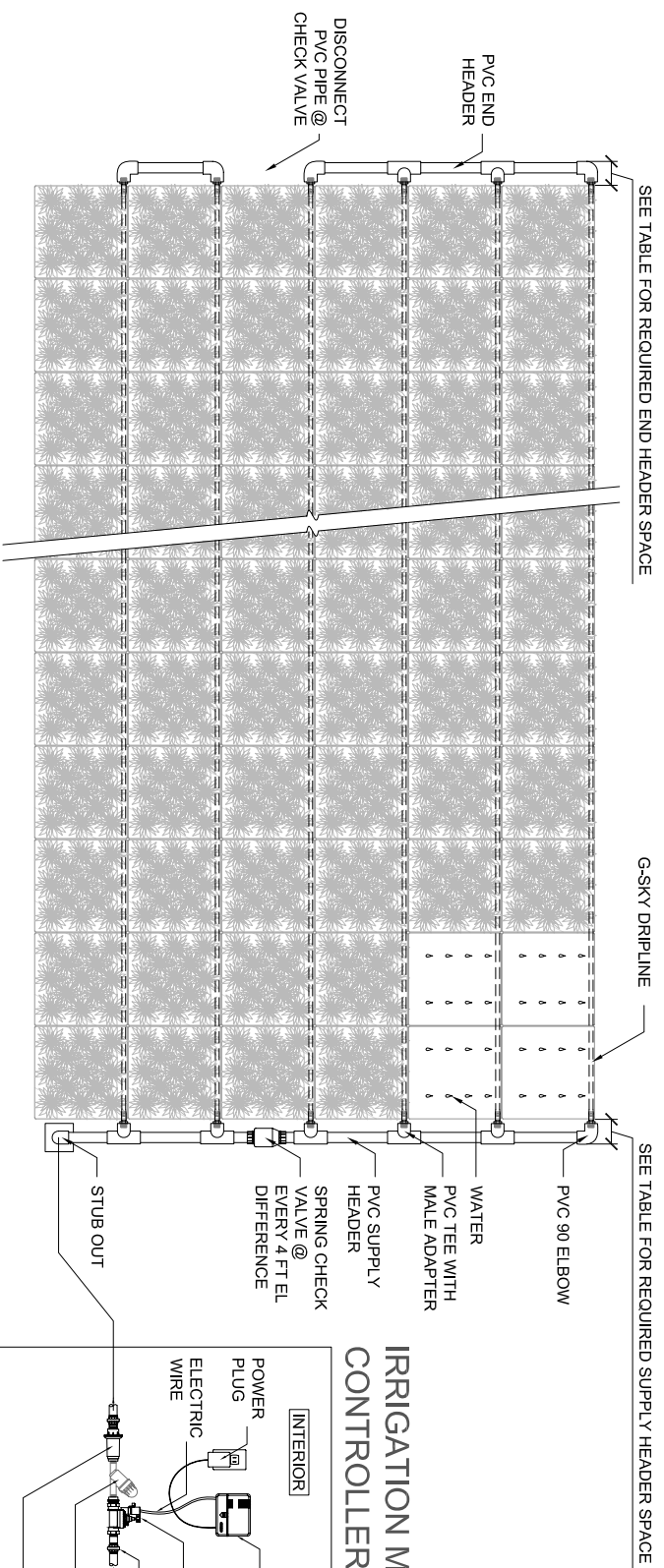
DRAWING # **G-2**

DATE: FEB 7, 2007

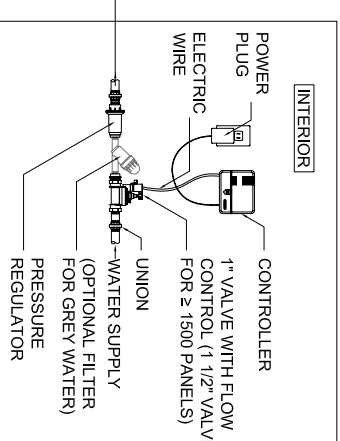
WALL MUST SUPPORT SATURATED GREEN WALL PANEL AND FRAME WEIGHT OF 30 LB/SQ.FT. WATERPROOFING BY OTHERS
 MAIN WATER SUPPLY LINE BY OTHERS
 AN INDEPENDENT MAIN WATER SUPPLY LINE AND 110V POWER OUTLET ARE REQUIRED

#208 669 RIDLEY PLACE
 DELTA, BC V3M 6V9
 604-708-0611 ph 604-357-1315 fax
 www.g-sky.com

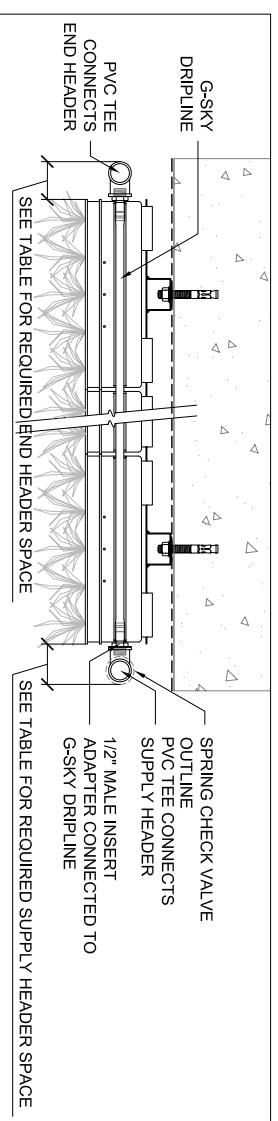
FRONT VIEW FOR MORE THAN 150 GREEN WALL PANELS



IRRIGATION MAIN CONTROLLER ASSEMBLY

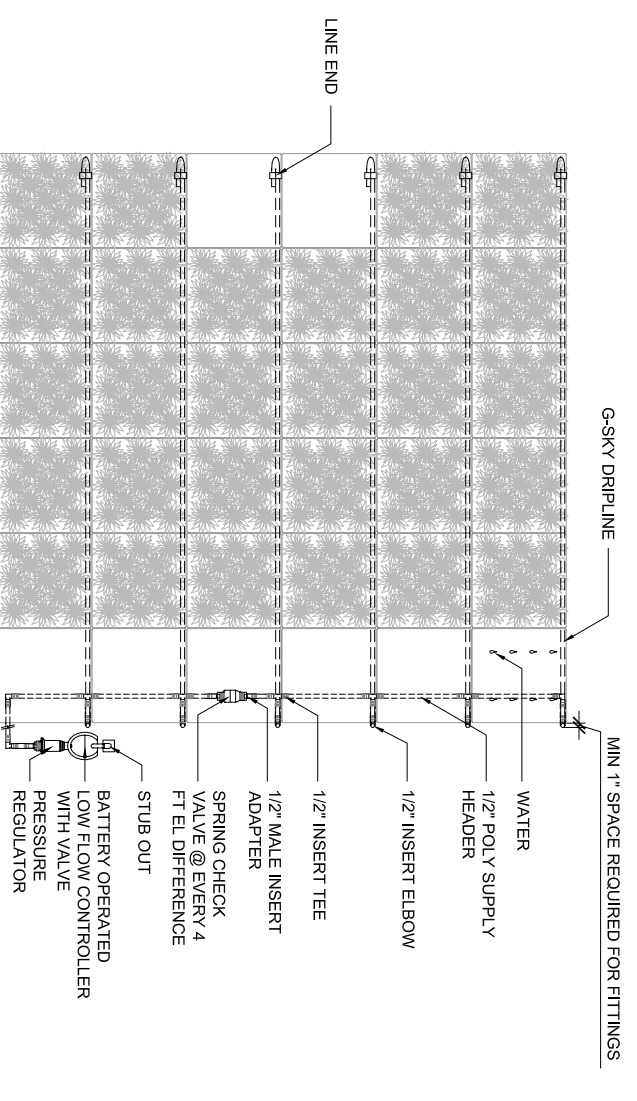


PLAN VIEW FOR MORE THAN 150 GREEN WALL PANELS

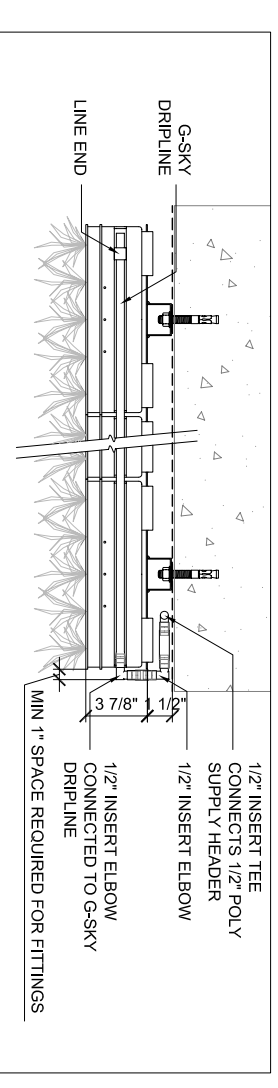


SCALE: 1" = 1'-0"
 (CAD FILE #2202)

FRONT VIEW FOR LESS THAN 150 GREEN WALL PANELS

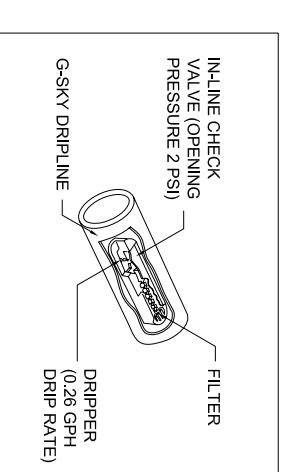


PLAN VIEW FOR LESS THAN 150 GREEN WALL PANELS



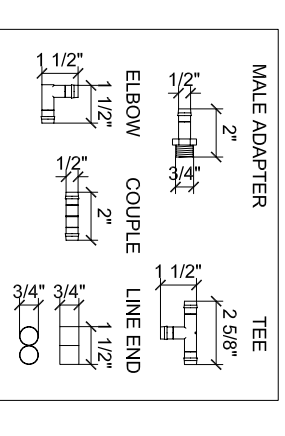
SCALE: 1" = 1'-0"
 (CAD FILE #2204)

DRIPPER DETAIL



SCALE: 6" = 1'-0"
 (CAD FILE #1302)

1/2" INSERT FITTING DETAIL



SCALE: 1 1/2" = 1'-0"
 (CAD FILE #1301)

IRRIGATION DESIGN / REQUIREMENTS TABLE FOR MORE THAN 150 GREEN WALL PANELS

WALL SIZE (PANEL) *1	PANEL LAYOUT (PANEL x PANEL)	MAX LENGTH (PANEL)	MAX HEIGHT (PANEL)	MIN WATER PRESSURE (PSI)	MIN WATER FLOW (GPM)	SUPPLY HEADER LINE SIZE	STUB OUT SIZE *2	REQUIRED SUPPLY HEADER *3 SPACE	REQUIRED END HEADER *3 SPACE
250	250 x 1	250	20	35	2.6	1/2" PVC	3/4"	2 1/2"	2 1/2"
500	250 x 2	250	50	40	5.2	3/4" PVC	1"	2 2 3/4"	2 2 1/2"
750	250 x 3	250	50	45	7.8	3/4" PVC	1"	2 2 3/4"	2 3"
1000	250 x 4	250	50	45	10.4	1" PVC	1"	2 3 1/2"	2 3"
2000	250 x 8	250	50	45	20.8	1 1/4" PVC	1 1/2"	2 4 1/2"	2 3 1/2"

IRRIGATION DESIGN / REQUIREMENTS TABLE FOR LESS THAN 150 GREEN WALL PANELS

WALL SIZE (PANEL) *1	PANEL LAYOUT (PANEL x PANEL)	MAX LENGTH (PANEL)	MAX HEIGHT (PANEL)	MIN WATER PRESSURE (PSI)	MIN WATER FLOW (GPM)
12	3 x 4	-	-	20	0.2
50	50 x 1	10	10	30	0.6
150	5 x 10	10	10	30	1.6
150	150 x 1	20	20	35	1.6
150	10 x 15	20	20	35	1.6

*1 THESE TABLES APPLY TO SQUARE SHAPED GREEN WALLS. SEE G-3 FOR GREEN WALLS WITH OPENINGS.
 *2 THESE TABLES ASSUME THAT THE STUB OUT IS LOCATED AT THE BOTTOM OF THE GREEN WALL.
 *3 SUPPLY HEADER SUPPLIES WATER VERTICALLY FROM STUB OUT; END HEADER INCREASES WATER CIRCULATION.
 *4 FOR LESS THAN 150 GREEN WALL PANELS, THE SUPPLY HEADER MAY BE DESIGNED TO FIT BEHIND THE GREEN WALL.
 *5 THE IRRIGATION SYSTEM IS DESIGNED FOR CLEAN (CONTAMINANT FREE) WATER. CONSULT G-SKY FOR GREY WATER FILTER REQUIREMENTS.
 *6 IRRIGATION CONTROLLER ASSEMBLY MAY BE USED FOR LESS THAN 150 GREEN WALL PANELS.

G-SKY GREEN WALL PANELS

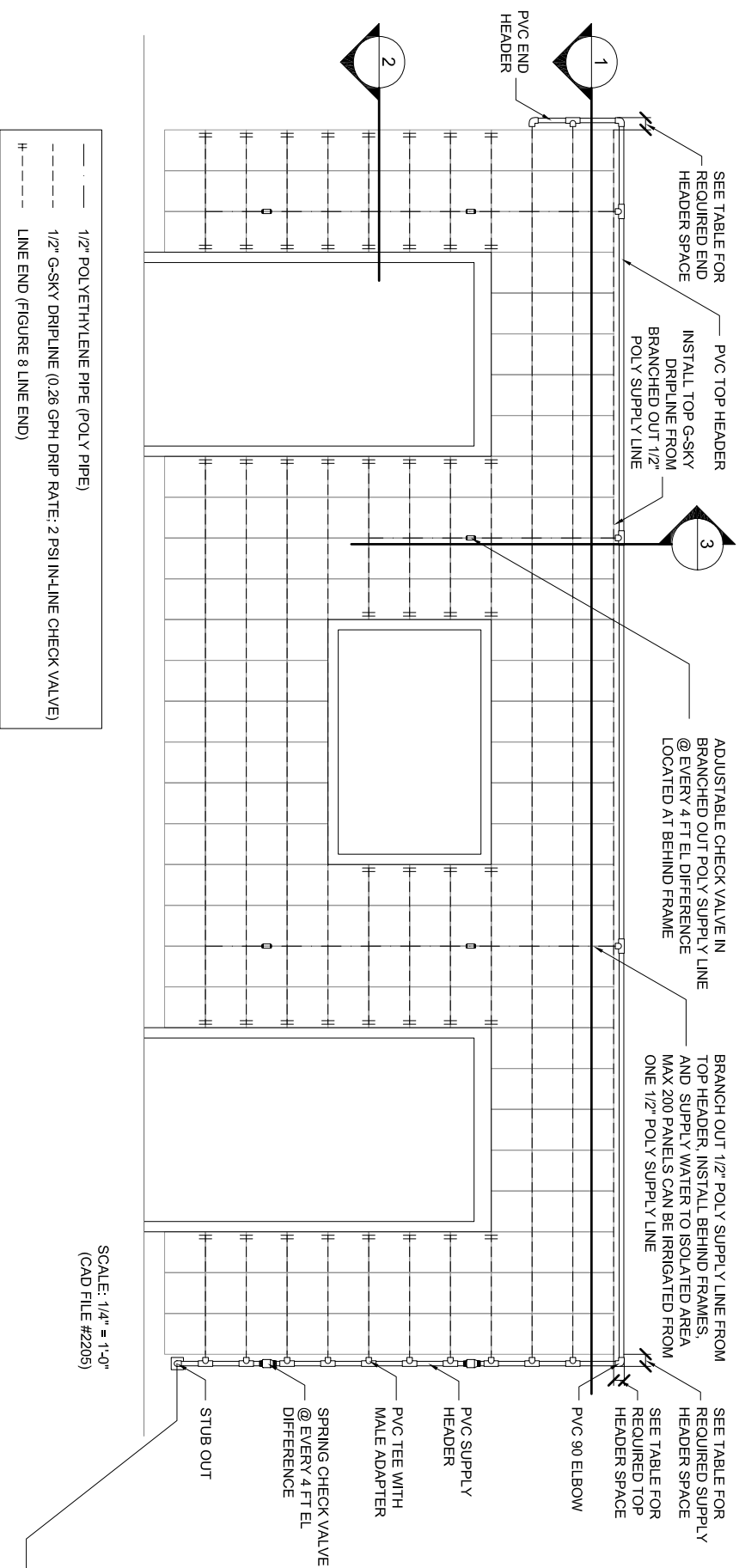
IRRIGATION DESIGN WITH OPENINGS



#208 669 RIDLEY PLACE
DELTA, BC V3M 6Y9
604-708-0611 ph 604-557-1315 fax
www.g-sky.com

DRAWING # **G-3**
DATE: FEB 7, 2007
WALL MUST SUPPORT SATURATED GREEN WALL PANEL AND FRAME WEIGHT OF 30 LB/SQ.FT.
WATERPROOFING BY OTHERS
MAIN WATER SUPPLY LINE BY OTHERS
AN INDEPENDENT MAIN WATER SUPPLY LINE AND 110V POWER OUTLET ARE REQUIRED

FRONT VIEW FOR GREEN WALL PANELS WITH OPENINGS

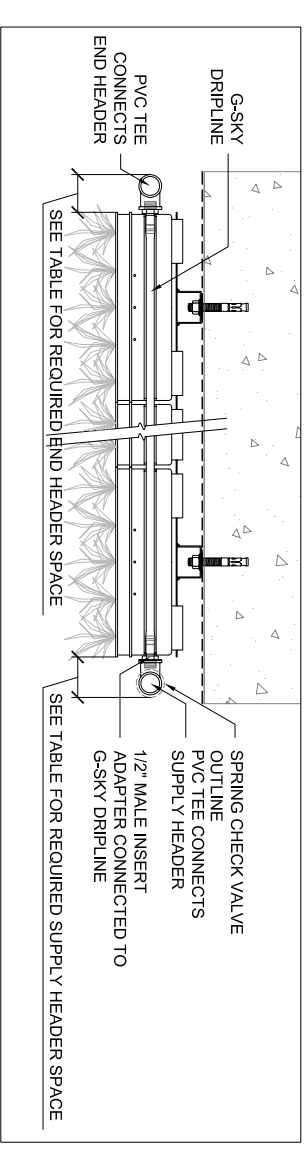


IRRIGATION DESIGN / REQUIREMENTS TABLE FOR GREEN WALL PANELS WITH OPENINGS

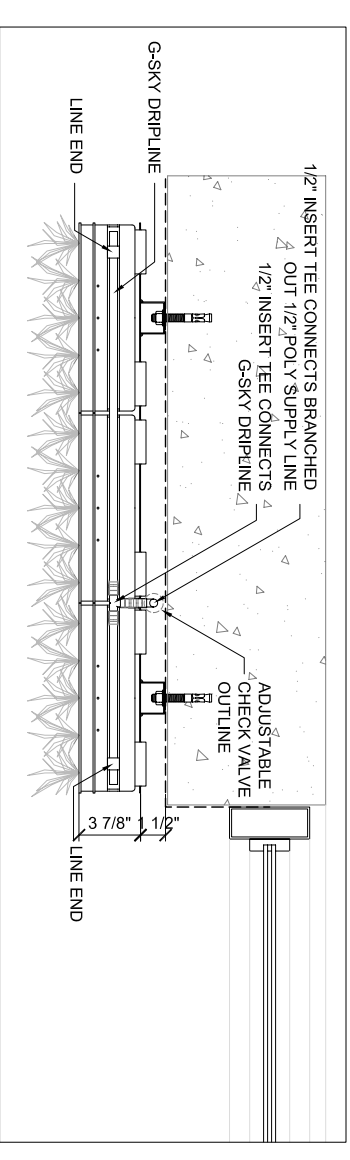
WALL SIZE (PANEL)	PANEL LAYOUT (PANEL X PANEL)	MAX LENGTH (PANEL)	MAX HEIGHT (PANEL)	MIN WATER PRESSURE (PSI)	MIN WATER FLOW (GPM)	SUPPLY HEADER LINE SIZE	STUB OUT SIZE 2	REQUIRED SUPPLY HEADER *3 SPACE	REQUIRED END HEADER *3 SPACE	REQUIRED TOP HEADER *3 SPACE
12	3 x 4	-	-	20	0.2	1/2" POLY	1/2"	-	-	≥ 1"
50	50 x 1 5 x 10	-	10 10	30 30	0.6 0.6	1/2" POLY	1/2"	-	-	≥ 1"
150	150 x 1 10 x 15	-	20 20	35 35	1.6 1.6	1/2" POLY	1/2"	-	-	≥ 1"
250	250 x 1 25 x 10	250	20	35	2.6	1/2" PVC	3/4"	≥ 2 1/2"	≥ 2"	≥ 2"
500	250 x 2 10 x 50	250	50	45	5.2	3/4" PVC	1"	≥ 5 3/4"	≥ 2 1/2"	≥ 2 1/2"
750	250 x 3 15 x 50	250	50	45	7.8	3/4" PVC	1"	≥ 5 3/4"	≥ 2 1/2"	≥ 2 1/2"
1000	250 x 4 20 x 50	250	50	45	10.4	1" PVC	1"	≥ 5 3/4"	≥ 3"	≥ 3"
2000	250 x 8 40 x 50	250	50	45	20.8	1 1/4" PVC	1 1/2"	≥ 3 1/2"	≥ 3 1/2"	≥ 3 1/2"

1. THIS TABLE APPLIES FOR GREEN WALL WITH OPENINGS. SEE G-2 FOR GREEN WALLS WITHOUT OPENING DESIGN.
 2. THIS TABLE ASSUMES THAT THE STUB OUT IS LOCATED AT THE BOTTOM OF THE GREEN WALL.
 3. SUPPLIES HEADER: SUPPLY WATER VERTICALLY FROM STUB OUT. END HEADER: INCREASES WATER CIRCULATION. TOP HEADER: SUPPLIES WATER TO POLY SUPPLY LINE FOR ISOLATED ZONES.
- FOR LESS THAN 150 GREEN WALL PANELS, THE SUPPLY HEADER MAY BE DESIGNED TO FIT BEHIND THE GREEN WALL.
 - 200 PANELS MAX. CAN BE IRRIGATED BY A BRANCHED OUT 1/2" POLY SUPPLY LINE.
 - THE IRRIGATION SYSTEM IS DESIGNED FOR CLEAN (CONTAMINANT FREE) WATER. CONSULT G-SKY FOR GREY WATER FILTER REQUIREMENTS.
 - BATTERY OPERATED LOW FLOW CONTROLLER (SEE G-2) MAY BE USED FOR LESS THAN 150 GREEN WALL PANELS.

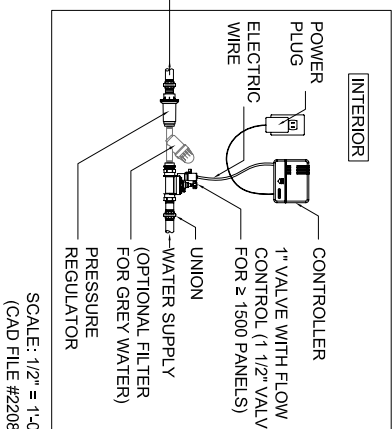
DETAIL 1 - SUPPLY / END HEADERS PLAN SECTION



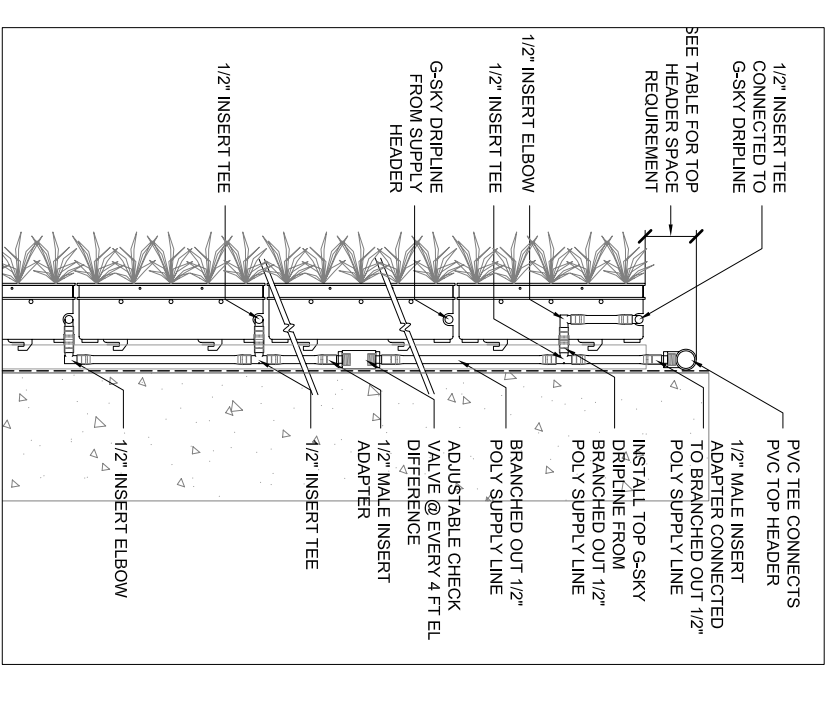
DETAIL 2 - BRANCHED OUT 1/2" POLY SUPPLY LINE / LINE ENDS PLAN SECTION



IRRIGATION MAIN CONTROLLER ASSEMBLY



DETAIL 3 - BRANCHED OUT 1/2" POLY SUPPLY LINE SIDE SECTION



G-SKY GREEN WALL PANELS EIFS SYSTEM

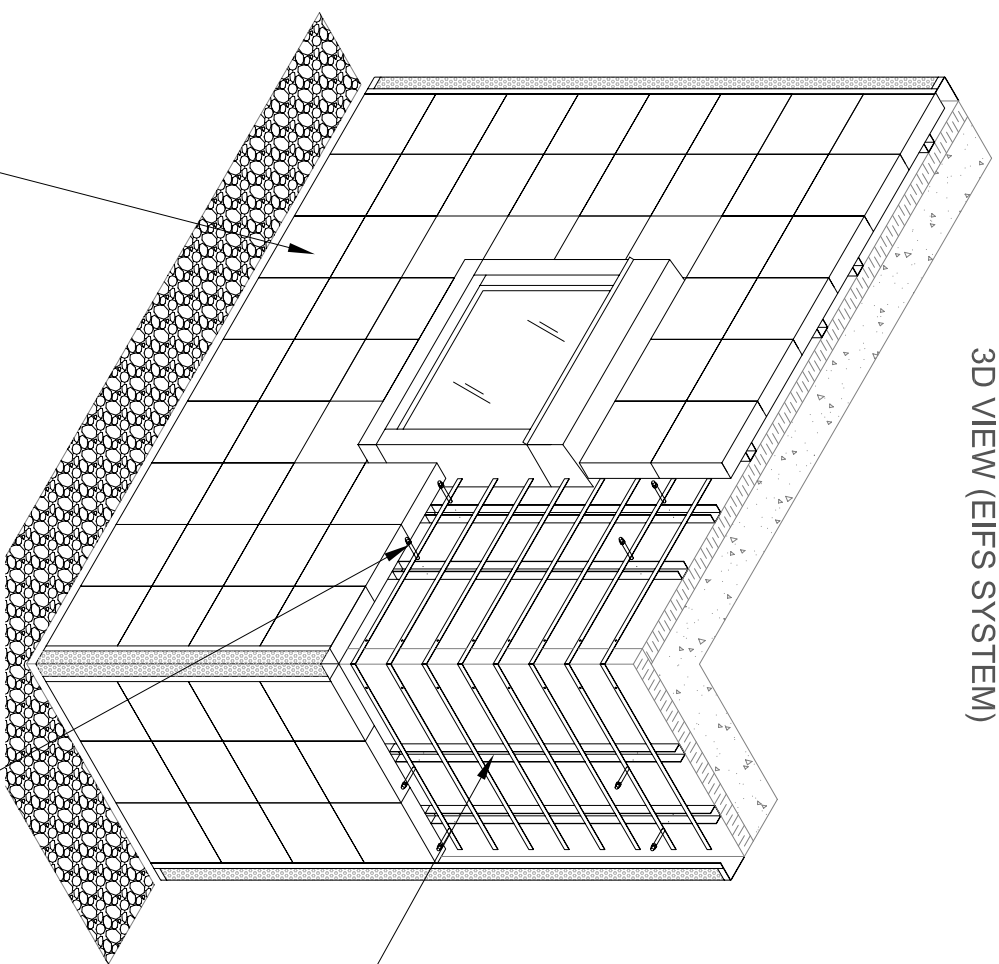


#208 669 RIDLEY PLACE
DELTA, BC V3M 6V9
604-708-0611 ph 604-357-1315 fax
www.g-sky.com

DRAWING #
G-5

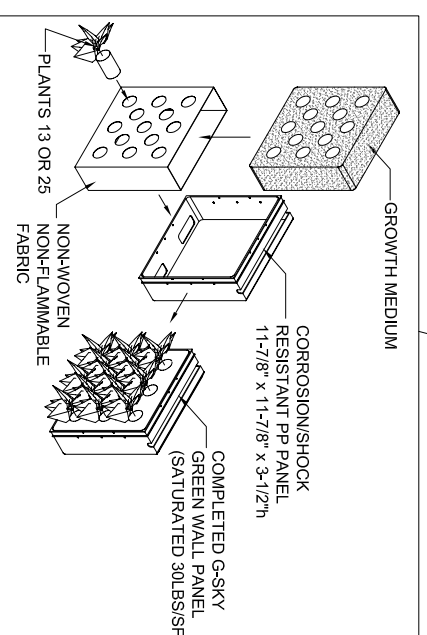
DATE: FEB 7, 2007
WALL MUST SUPPORT SATURATED GREEN WALL PANEL AND FRAME WEIGHT OF 30 LB/SQ.FT.
WATERPROOFING BY OTHERS

3D VIEW (EIFS SYSTEM)



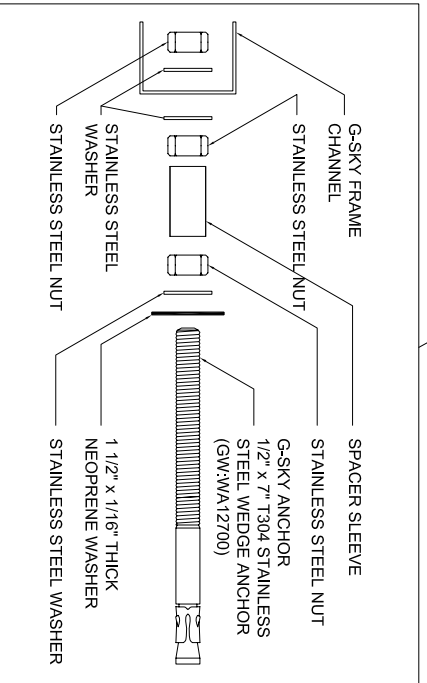
SCALE: 3/8" = 1'-0"
(CAD FILE #2120)

G-SKY GREEN WALL PANEL ASSEMBLY



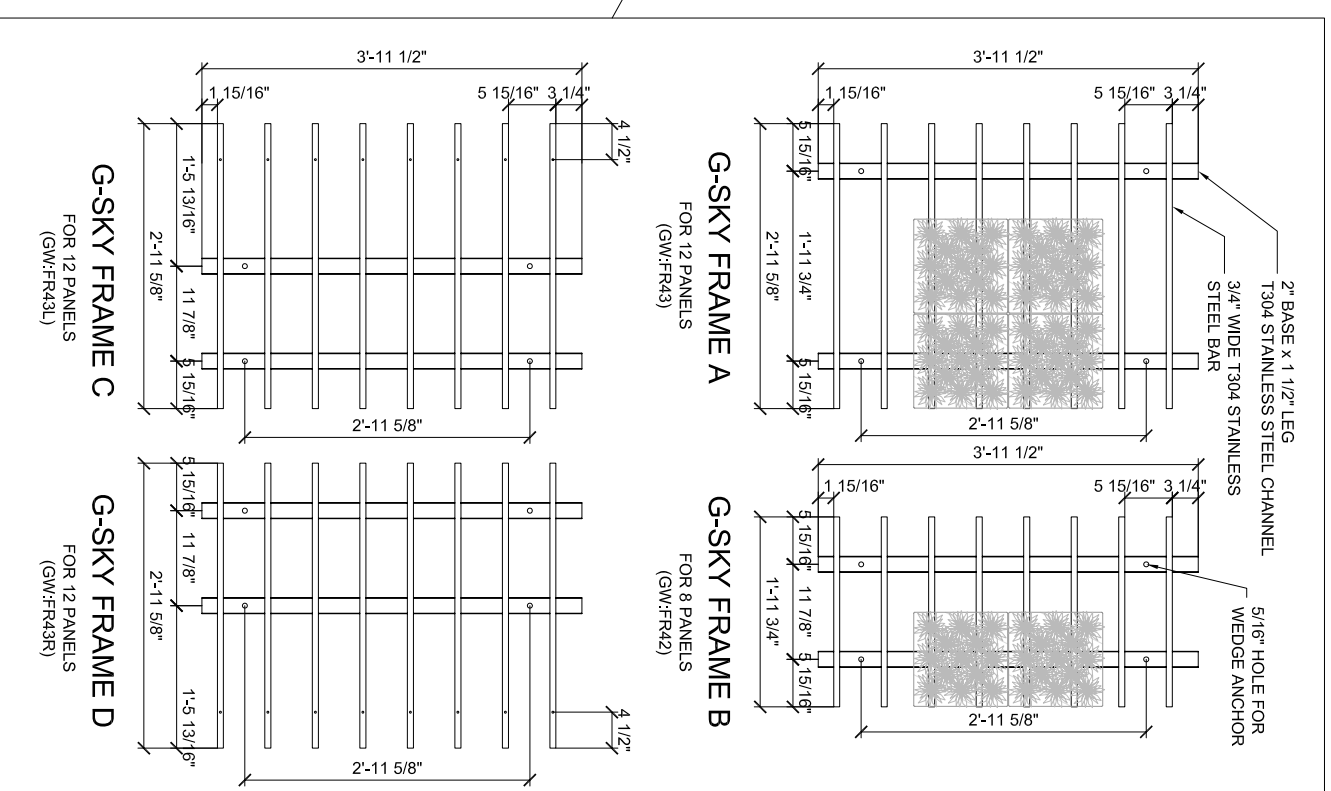
SCALE: 1/2" = 1'-0"
(CAD FILE #1101)

G-SKY ANCHOR DETAIL



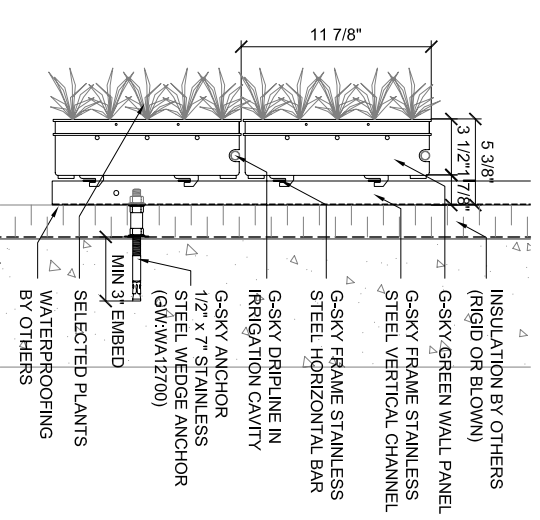
SCALE: 3" = 1'-0"
(CAD FILE #1206)

G-SKY FRAME DETAILS



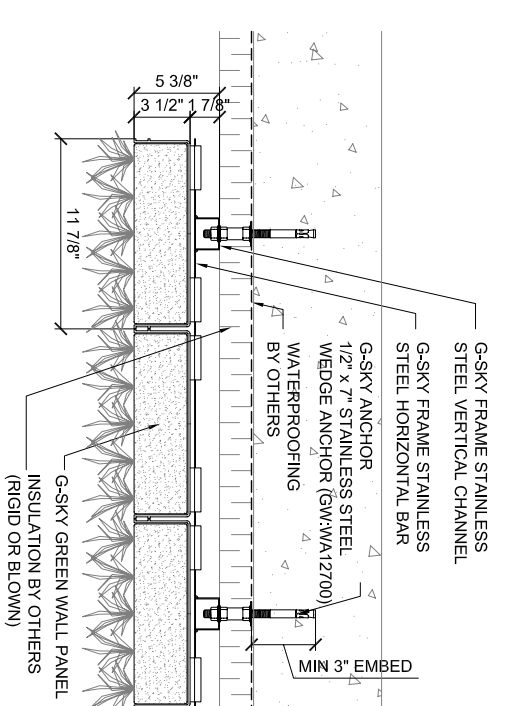
SCALE: 1/2" = 1'-0"
(CAD FILE #1201, 1202, 1203, 1204)

SIDE VIEW (EIFS SYSTEM)



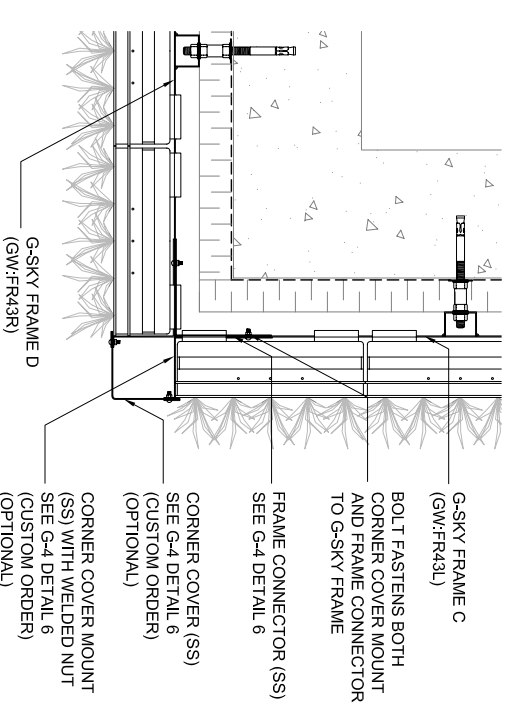
SCALE: 1" = 1'-0"
(CAD FILE #2121)

PLAN SECTION (EIFS SYSTEM)



SCALE: 1" = 1'-0"
(CAD FILE #2122)

CORNER DETAIL (EIFS SYSTEM)



SCALE: 1" = 1'-0"
(CAD FILE #2123)